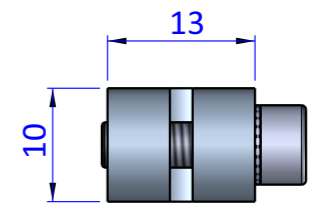
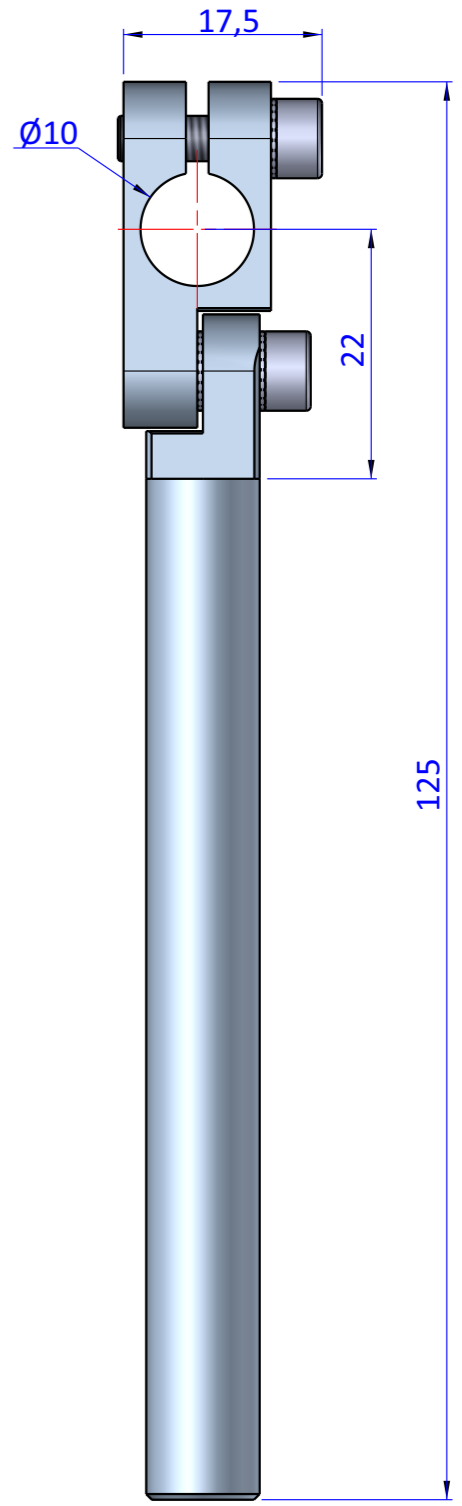
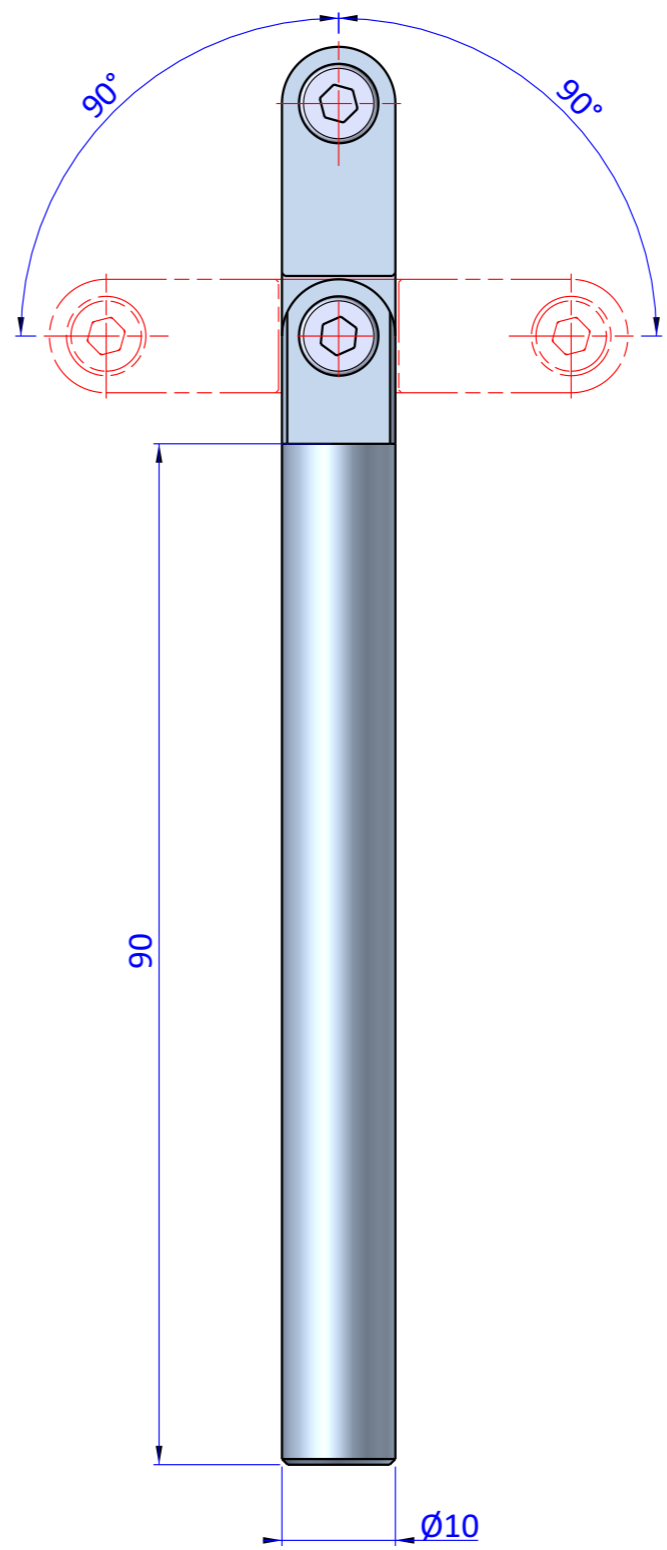
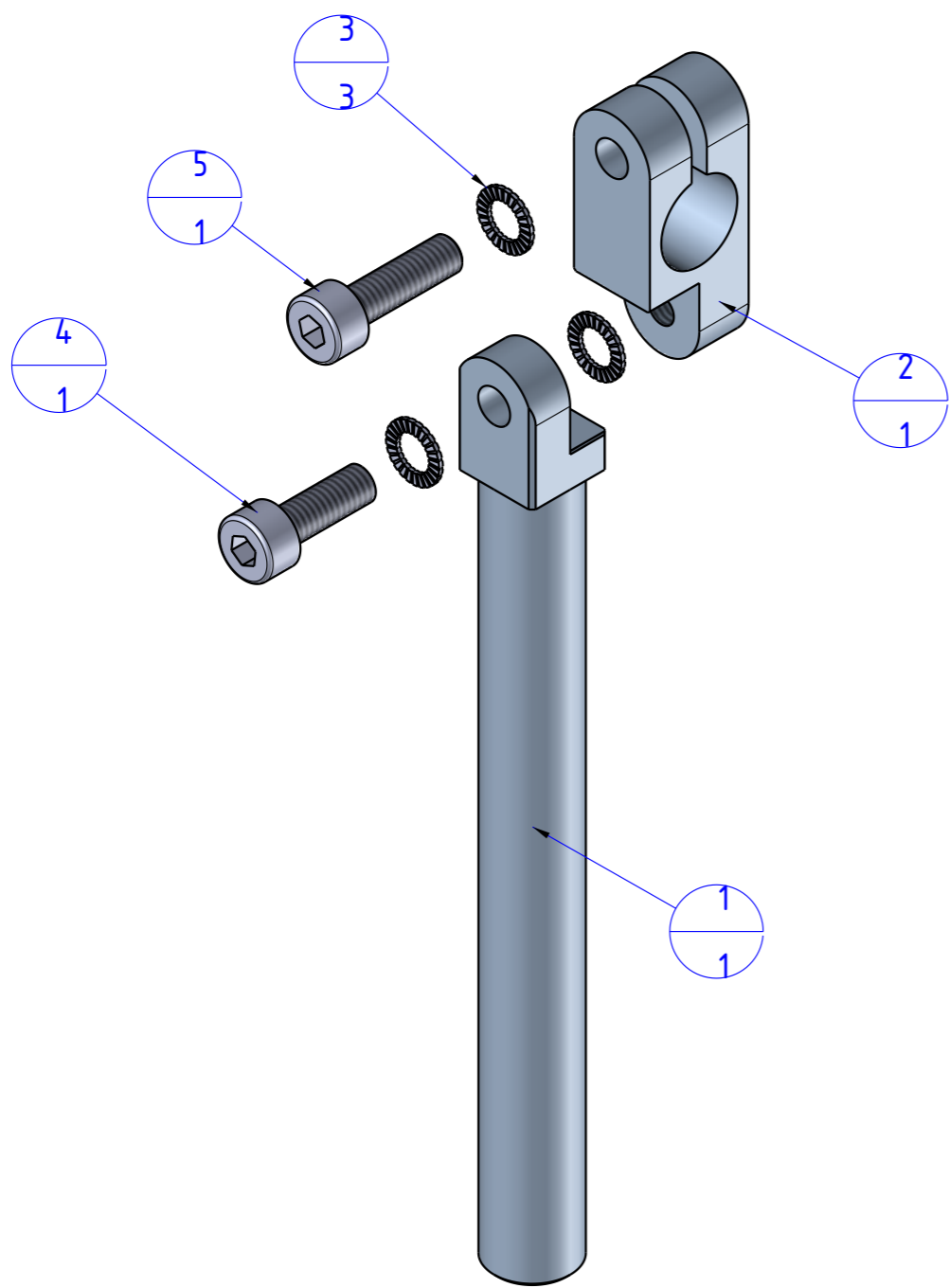

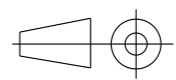


THE PROPERTY OF THE DRAWING IS ESTABLISHED BY LAW. IT IS FORBIDDEN TO PRODUCE OR SHOW IT TO THIRD PART, WITHOUT A WRITTEN AGREEMENT.

Item	Name	Q.ty
1	GLA.10.1.90	1
2	GLA.10.2	1
3	R.4.SCH	3
4	V.TCE4x12	1
5	V.TCE4x14	1



Format A3  
UNI 936-76

 <b>FPS</b> FPSERVICES AUTOMATION			DESIGNED FROM <b>FPS Automation</b>	REVIEW <b>A</b>
GENERAL TOLERANCE UNI - ISO 2768 CLASSE f	DESCRIPTION  <b>CA.GLA.1010.90</b>	DATE <b>24/08/2020</b>	WEIGHT <b>0,027kg</b>	CODE <b>CA.GLA.1010.90</b>